

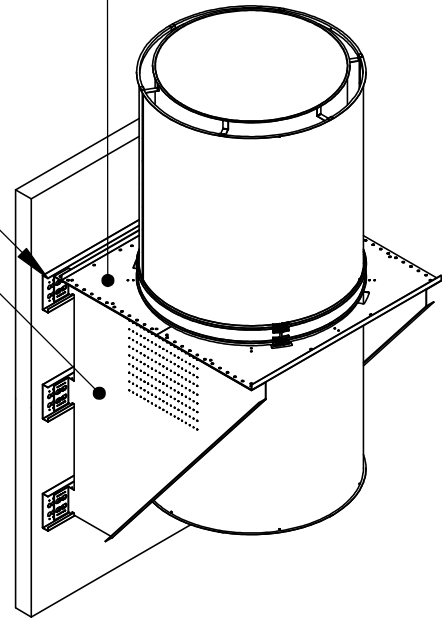
DOUBLE WALL DUCT VERTICAL SUPPORTS

DWXXDWVESU - VERTICAL SUPPORTS WITH DUCT INSTALLED

VERTICAL SUPPORT SPACING & SUPPORT ASSEMBLY PART NUMBERS				
DUCT DIAMETER	SUPPORT SPACING	DOUBLE WALL DUCT 2R, 2V	SUPPORT SPACING	DOUBLE WALL DUCT 3R, 3Z
5.00"	20' FT	DW09DWVESU	10' FT	DW11DWVESU
6.00"	20' FT	DW10DWVESU	10' FT	DW12DWVESU
7.00"	20' FT	DW11DWVESU	10' FT	DW13DWVESU
8.00"	20' FT	DW12DWVESU	10' FT	DW14DWVESU
10.00"	20' FT	DW14DWVESU	10' FT	DW16DWVESU
12.00"	20' FT	DW16DWVESU	10' FT	DW18DWVESU
14.00"	20' FT	DW18DWVESU	10' FT	DW20DWVESU
16.00"	20' FT	DW20DWVESU	10' FT	DW22DWVESU
18.00"	20' FT	DW22DWVESU	10' FT	DW24DWVESU
20.00"	N/A	N/A	10' FT	DW26DWVESU
22.00"	N/A	N/A	10' FT	DW28DWVESU
24.00"	N/A	N/A	10' FT	DW30DWVESU
26.00"	N/A	N/A	10' FT	DW32DWVESU
28.00"	N/A	N/A	10' FT	DW34DWVESU
30.00"	N/A	N/A	10' FT	DW36DWVESU
32.00"	N/A	N/A	10' FT	DW38DWVESU
34.00"	N/A	N/A	10' FT	DW40DWVESU
36.00"	N/A	N/A	10' FT	DW42DWVESU

- (2) DWSUPPLATESM
- (2) DWSUPPLATELG
- (3) DWSUPPLATELG42
- (2) DWVESUSIDESM
- (2) DWVESUSIDE
- (2) DWVESUSIDE20
- (2) DWVESUSIDE42

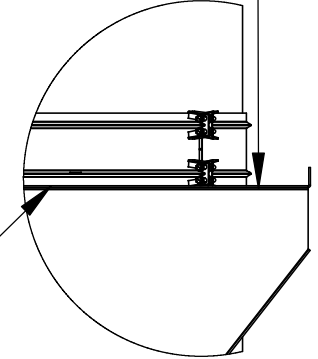
(2) DWXXVESUTP



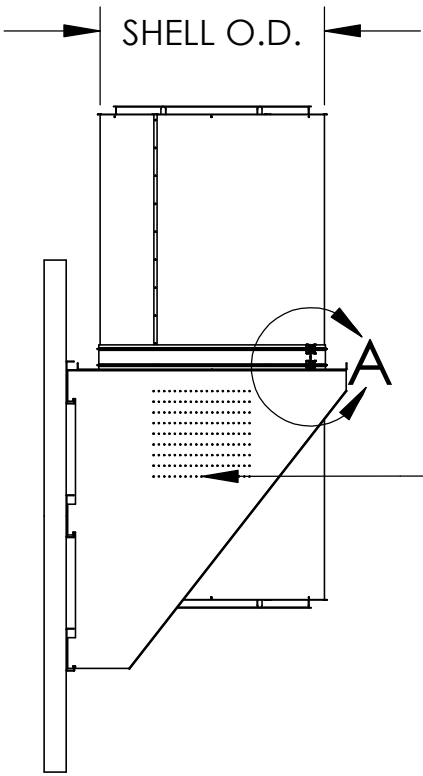
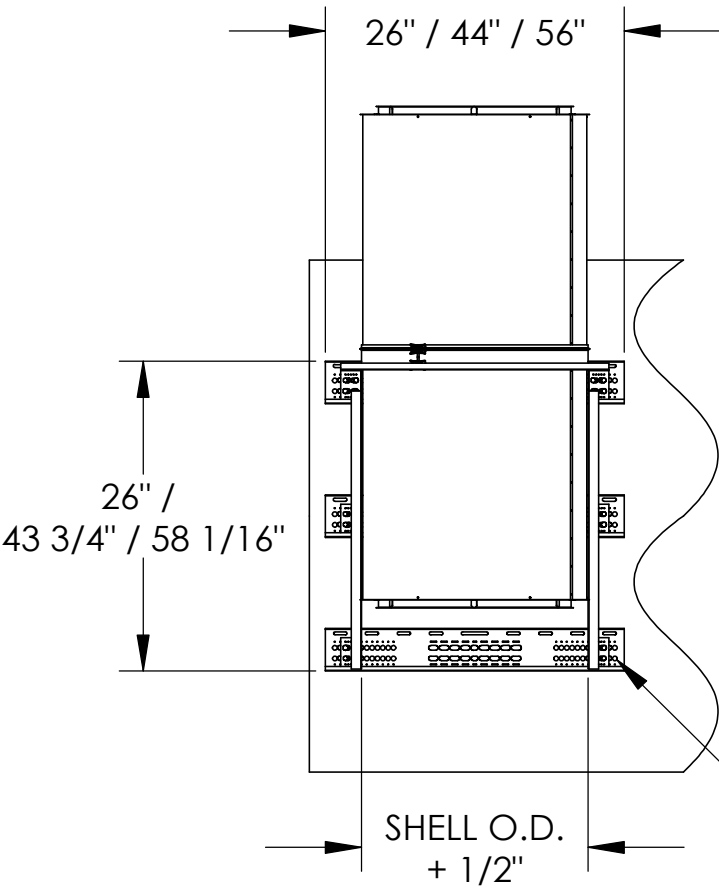
(8) 5/6-18 WHIZ NUTS & BOLTS INSTALLED EACH SIDE.

5/16-18 X 1-1/2" SELF DRILLING SCREWS.

DOUBLE V CLAMP INSTALLED ABOVE DWXXVESUTP.



DETAIL A
SCALE 1 : 12



HARDWARE IS SPECIFIC PER WALL CONSTRUCTION SEE DETAIL SHEET.