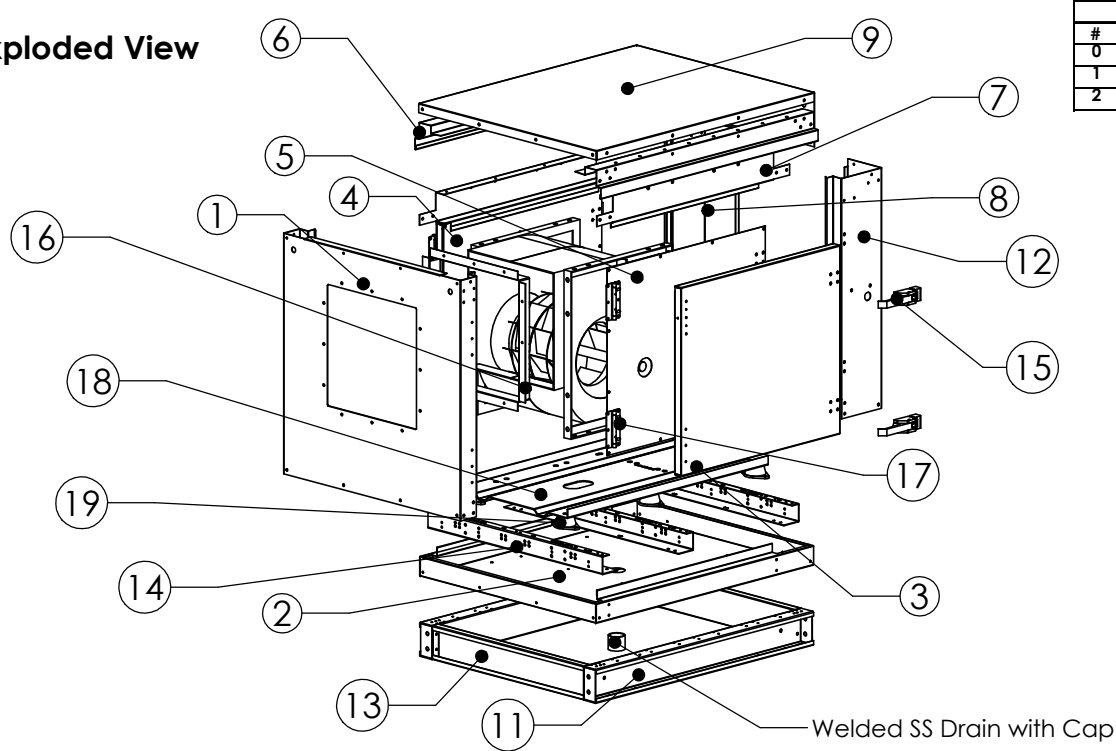


#	Description	Revised by	ECN#	Date
0	Released to production	NR	2708	6/11/14
1	Changes for Version 2	NR	2615	7/1/15
2	Updated KB 10 Main Rail	NR	2917	1/6/17

KB Updischarge Blower- Exploded View



#	Part Name	Quantity	10	14	18	20	25
1	Back	1	B1KBEDS	B2KBEDS	B3KBEDS	B4KBEDS	B5KBEDS
2	Bottom	1	B1KBBOT	B2KBBOT	B3KBBOT	B4KBBOT	B5KBBOT
3	Door- Front	1	B1KBFDR-V2	B2KBFDR-V2	B3KBFDR-V2	B4KBFDR-V2	B5KBFDR-V2
4	Door-Back	1	B1KBBDR-V2	B2KBBDR-V2	B3KBBDR-V2	B4KBBDR-V2	B5KBBDR-V2
5	Door-Liner	2	B1KBLINER	B2KBLINER	B3KBLINER	B4KBLINER	B5KBLINER
6	Drip Rail	2	B1KBDPRL	B2KBDPRL	B3KBDPRL	B4KBDPRL	B5KBDPRL
7	Door Support	2	B1KBDRSP-V2	B2KBDRSP-V2	B3KBDRSP-V2	B4KBDRSP-V2	B5KBDRSP-V2
8	Left Front Post	1	B1KBLFP	B2KBLFP	B3KBLFP	B4KBLFP	B5KBLFP
9	Lid	1	B1KBLIDUP	B2KBLIDUP	B3KBLIDUP	B4KBLIDUP	B5KBLIDUP
10	Lid Support (not show n)	1	N/A			M4LSUP	M5LSUP
11	Main Rail	2	ME12MR	B2MNRL	B3MNRL	B4MNRL	B5MNRL
12	Right Front Post	1	B1KBRFP	B2KBRFP	B3KBRFP	B4KBRFP	B5KBRFP
13	End Flashing	2	M1EFLS	M2EFLS-V2	M3EFLS	M4EFLS-V2	M5EFLS
14	Horizontal Support	Varies	M1HSUP(3)	M2HSUP-V2 (3)	M3HSUP(3)	M4HSUP-V2 (4)	M5HSUP(4)
15	Door Latch	4	173SST				
16	Blower Collar	1	B1KBBLCL	B2KBBLCL	B3KBBLCL	B4KBBLCL	B5KBBLCL
17	Door Hinge	Varies	HG-OTA100				
18	Motor/Blower Platform	1	B1KBMBP	B2KBMBP	B3KBMBP	B4KBMBP	B5KBMBP
19	Vibration Isolator	Varies	T44-5A (6)	T44-5A (6)	T44-5A (6)	T44-5A (8)	T44-5A (10)

NOTES:

- KB25 models have a 3 piece bottom. B5KBSID and B5KBSIDB attaches to the sides of the KB25 bottom. KB25 models use Qty-2 doors on each side. B5KBFDR-V2 and B5KBBDR-V2. KB25 models have a front and back drip rail design. B5KBDPRL and B5KBDPRLB.
- All model use 4 of MLIFTL lifting lugs.
- Disconnect switch is dependent on motor load.
- Use R-10480-S-1/4" BY 1" (AX # A0022006) on B#KBEDS, B#KBRFP, B#KBDRSP-V2 and B#KBBOT.
- KB 10,14 and 18 use Qty-2 Hinges (HGOTA-100) per door. KB 20 , 25 use Qty-3 Hinges (HG-OTA-100) per door.