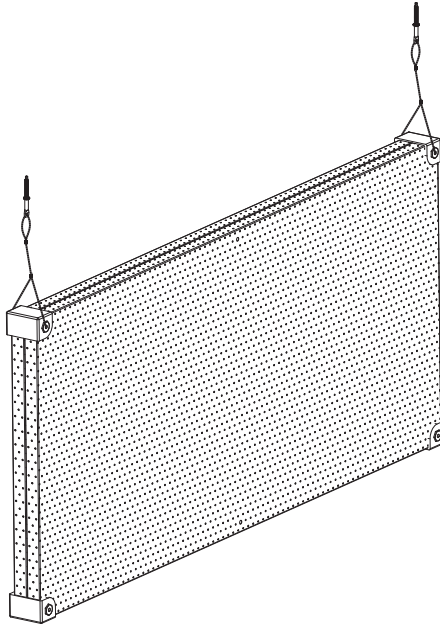


# Sound Panel Installation Instructions

---



## **RECEIVING AND INSPECTION**

**Examine All Components for Possible Shipping Damage before Installation.**

**Save these instructions. This document is the property of the owner of this equipment and is required for future maintenance. Leave this document with the owner when installation or service is complete.**

# INSTALLATION

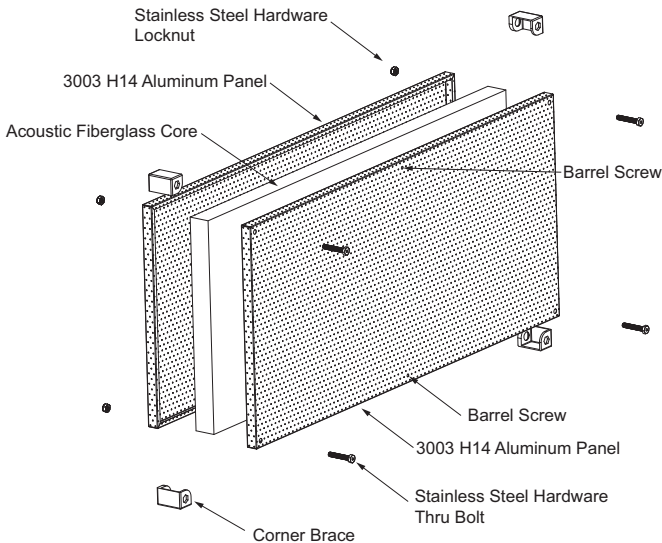
All sound panels are provided with a 20-year standard warranty. Sound panels are not to be used in unconditioned spaces.

It is imperative that sound panels are installed using the method and hardware outlined in this manual. If there are any questions about any items, refer to “**Technical Support Information**” on page 8.

## Site Preparation

1. Provide clearance around installation site to safely rig and lift equipment into its final position. Consider general service and installation space when locating unit.
2. Thoroughly review the plans and specifications of the project.
3. Determine the exact location in which the sound panel will be installed and verify that there are no interferences which will prevent proper installation.
4. Verify that all overhead beams are structurally strong enough to support the weight of the sound panel and hanging system.
5. Excessive air movement will cause the hanging mount panel(s) to sway back and forth. If the sound panel(s) sway more than 1/4" in either direction, additional support cables maybe required. Refer to “**Additional Support Cables**” on page 5.
6. If additional support cables are not possible (**page 5**), an alternate installation method should be used. Sound panels can be mounted directly to the ceiling using the direct mounting method. Refer to “**Direct Mount Method**” on page 3.

## Panel Details



## Manufacturer’s Recommendations

- 1 panel per 15ft<sup>2</sup> of space for 1.0s reverberation time.  
Examples: Multi-Purpose Rooms, Teleconferencing Rooms, Classrooms, Auditoriums.
- 1 panel per 10ft<sup>2</sup> of space for 0.5s reverberation time.  
Examples: Production Rooms and Recording Studios.

## Mounting Options

Hanging or Direct Mount options are available. Hardware is sold separately.

- Ceiling Hung Hardware: Steel Cable and Anchor – Part Number SP2H-HK
- Direct Mount Hardware: Toggle Anchor and Screws – Part Number SP2W-HK

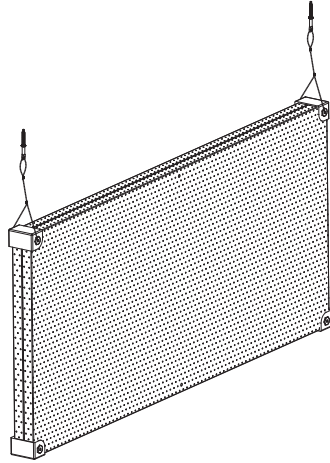
## Hanging Mount Method

Excessive air moment will cause the sound panel(s) to move or sway. Refer to **“Site Preparation” on page 2** for details. If the sound panel will be hung, it must be located away from the air source. Additional support cables or using the **Direct Mount Method** may be required to stop panels from moving or swaying.

Direct mounting to the wall or ceiling is an option. Refer to **Direct Mount Method**.

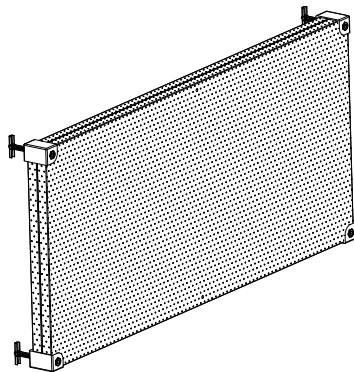
1. Locate where the panel will hang in the ceiling.
2. Install the mounting screws.
3. Loop the suspension cable through the mounting screw. Secure with cable lock.
4. Run the loose cable end through the panel hole and attach to cable. Secure with cable lock.

When using suspension cable to hang the panels, refer to **“Suspension Cable Hanging Instructions” on page 4** for more information.



## Direct Mount Method

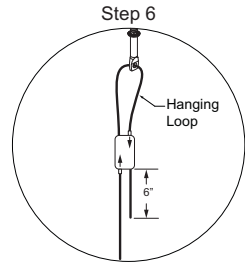
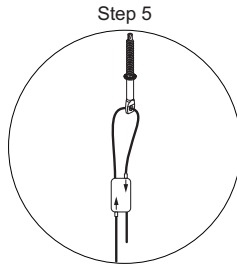
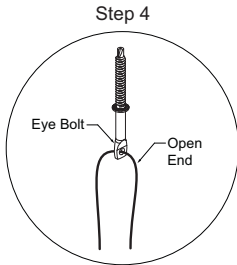
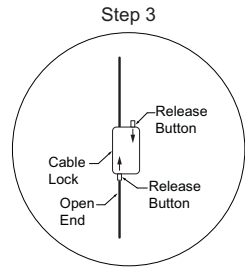
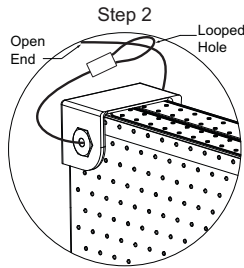
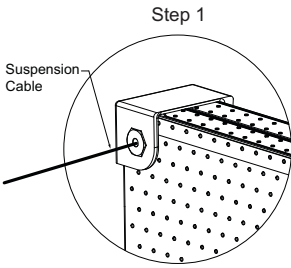
1. Measure and drill mounting holes into the wall or ceiling.
2. Insert the toggle anchor through the panel's mounting hole.
3. To expand the anchor, use a screwdriver to turn the screw.
4. Verify all four screws are installed and secured into the wall or ceiling.



# Suspension Cable Hanging Instructions

Refer to the following steps for installing suspension cable through the panels to the ceiling.

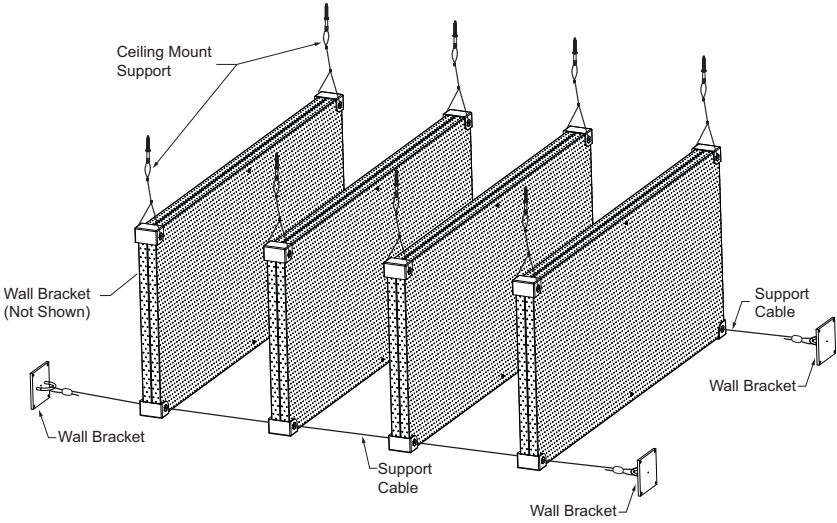
1. Push the suspension cable through the opening in the top corner of the panel.
2. Place the cable's open end through the looped hole.
3. Pull the cable's open end up through the cable lock. Verify the cable is inserted per the directional arrow on the cable lock. The cable must go in the same direction as the arrow. There is a release button if you must adjust or remove the cable.
4. Loop the open end of the cable hanger through the eye bolt. **NOTE: In some cases, you may wrap the cable around an "I" Beam or Truss.**
5. Once the cable end is through the eye bolt or has been wrapped around the "I" Beam or Truss, secure the cable end. Insert the open side of the cable through the cable lock. Verify the cable is in the direction of the arrow.
6. When the hanging loop is set to the correct height, verify there is a minimum length of 6" of cable through the cable lock. This will allow for height adjustments when necessary. Cut the suspension cable to length.



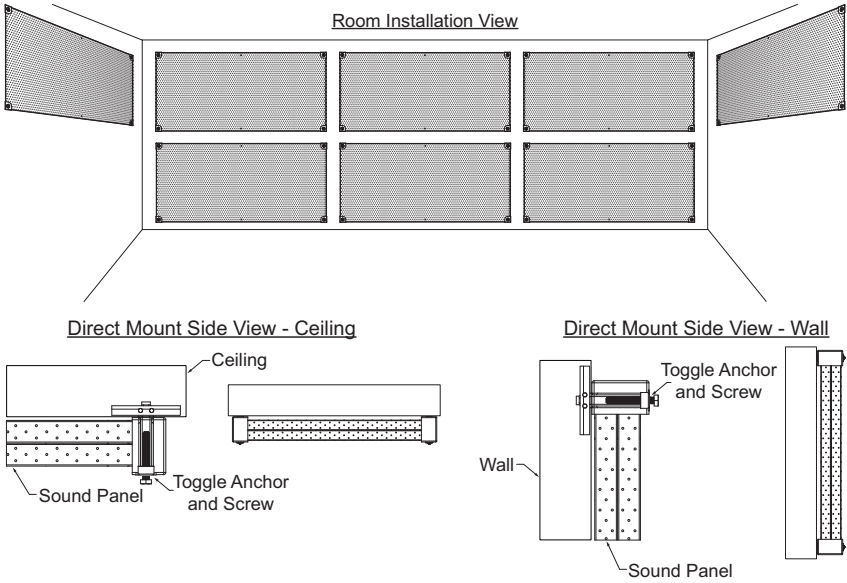
# Additional Support Cables

When sound panels are suspended from the ceiling, they may require additional support cables to help stabilize movement.

- Support cables must be run through the panel's lower corner brace.
- Support cables must be connected and secured to wall brackets.

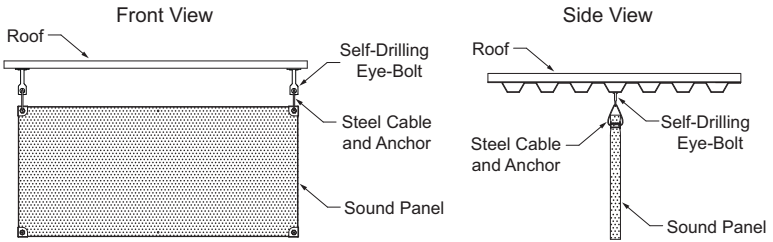


## Suggested Direct Mount Panel Attachment

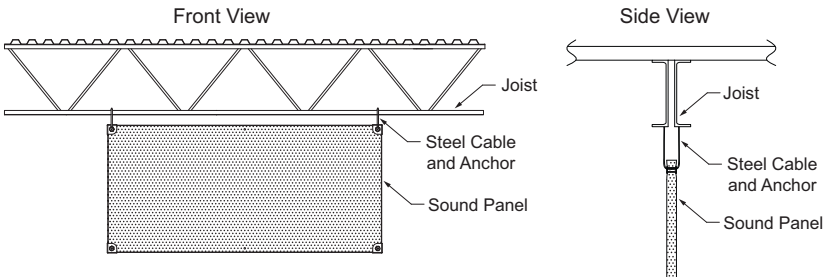


## Suggested Hanging Panel Attachment

### Roof Deck Direct Attachment

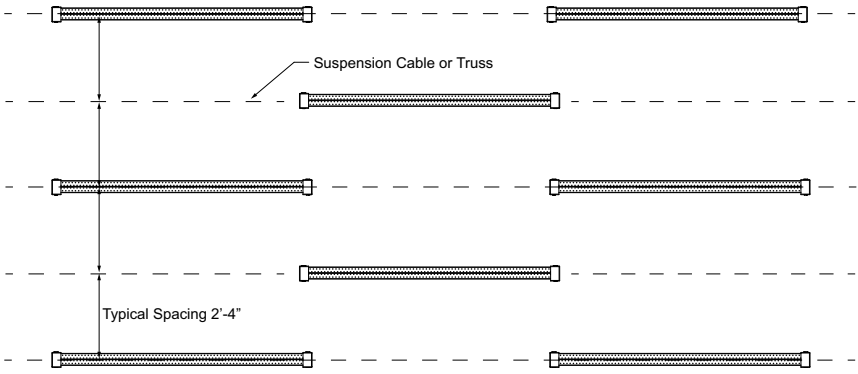


### Bottom Chord Attachment

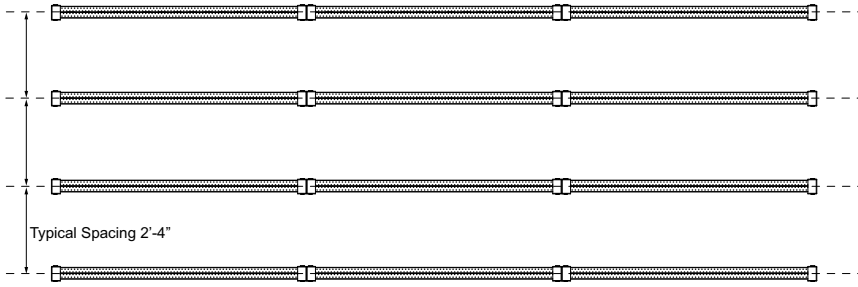


# Suggested Mounting Patterns

## Offset Pattern



## Linear Pattern



## Honeycomb Pattern

