

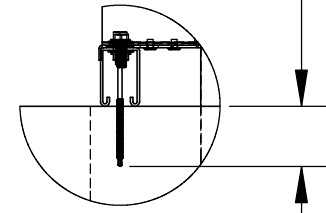
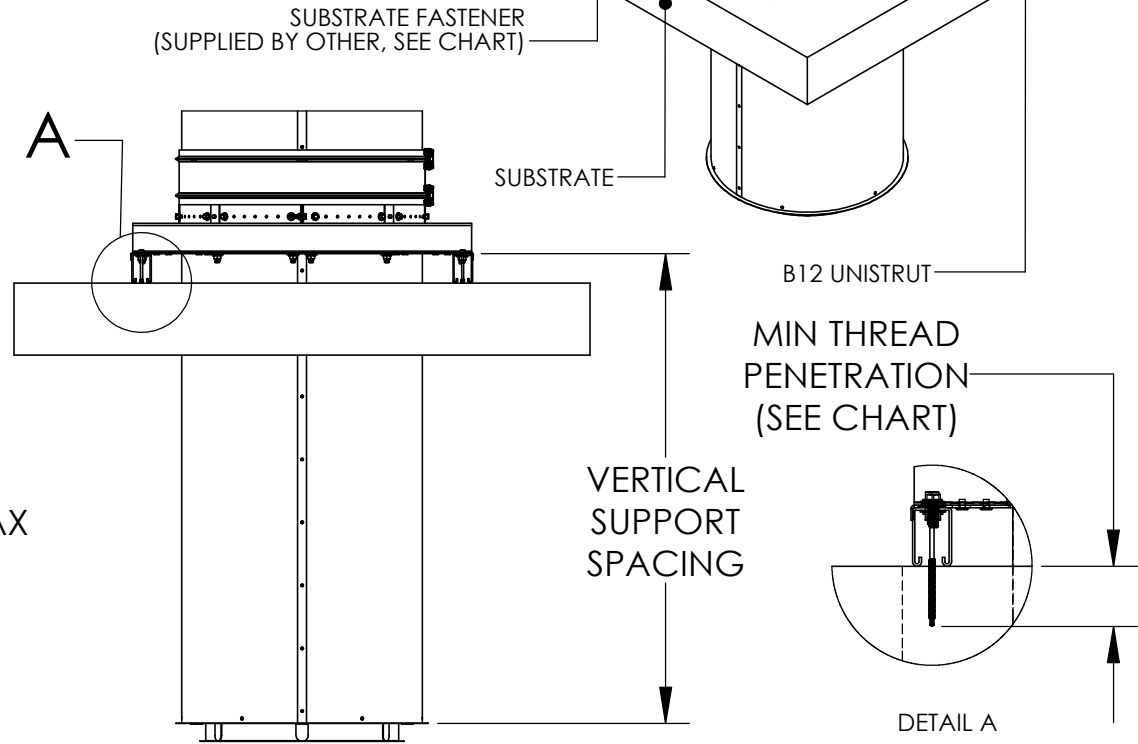
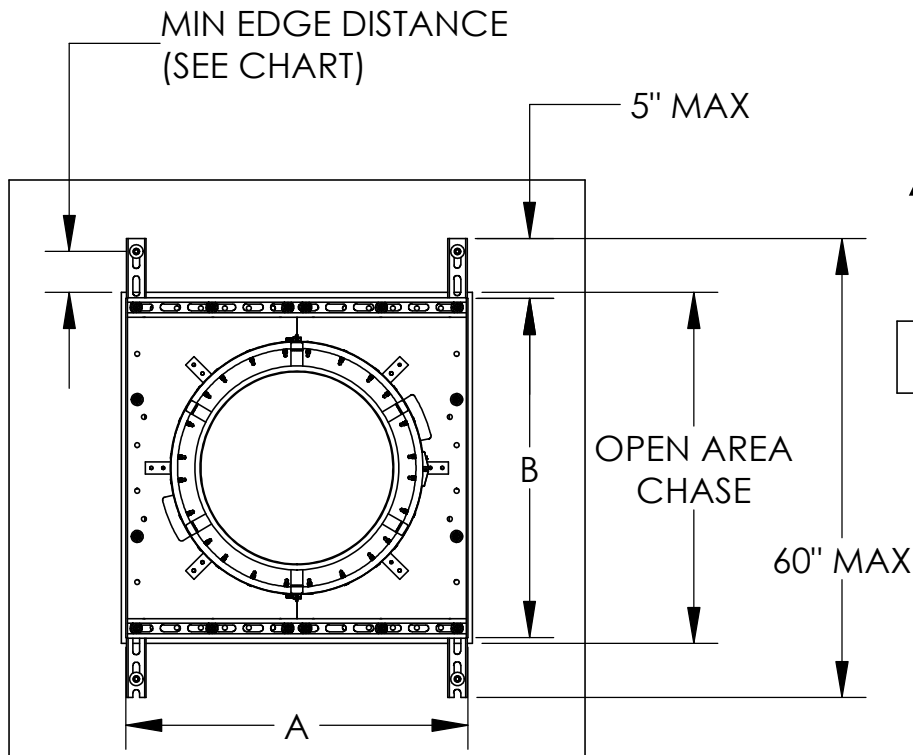
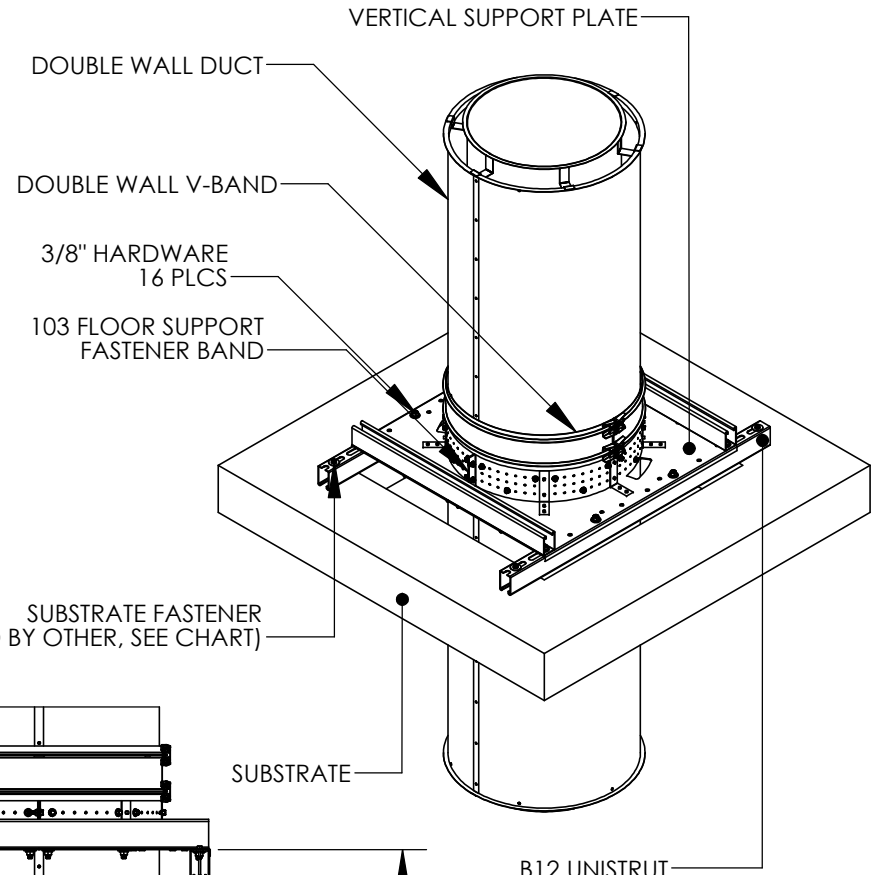
DOUBLE WALL DUCT CHASEWAY SUPPORT

VERTICAL SUPPORT SPACING FOR DOUBLE WALL WITH FLOOR SUPPORT

DUCT DIAMETER	PLATE DIMENSIONS		SUPPORT SPACING	CHASE SUPPORT ASSEMBLY 2R, 2V	PLATE DIMENSIONS		SUPPORT SPACING	CHASE SUPPORT ASSEMBLY 3R, 3Z
	A	B			A	B		
5.00"	17.250"	17.250"	24"	DW0509DWCHASEUPASY	19.250"	19.250"	24"	DW0511DWCHASEUPASY
6.00"	18.250"	18.250"	24"	DW0610DWCHASEUPASY	20.250"	20.250"	24"	DW0612DWCHASEUPASY
7.00"	19.250"	19.250"	24"	DW0711DWCHASEUPASY	21.250"	21.250"	24"	DW0713DWCHASEUPASY
8.00"	20.250"	20.250"	24"	DW0812DWCHASEUPASY	22.250"	22.250"	24"	DW0814DWCHASEUPASY
10.00"	22.250"	22.250"	24"	DW1014DWCHASEUPASY	24.250"	24.250"	24"	DW1016DWCHASEUPASY
12.00"	24.250"	24.250"	24"	DW1216DWCHASEUPASY	26.250"	26.250"	24"	DW1218DWCHASEUPASY
14.00"	26.250"	26.250"	24"	DW1418DWCHASEUPASY	28.250"	28.250"	24"	DW1420DWCHASEUPASY
16.00"	28.250"	28.250"	24"	DW1620DWCHASEUPASY	30.250"	30.250"	24"	DW1622DWCHASEUPASY
18.00"	30.250"	30.250"	24"	DW1822DWCHASEUPASY	32.250"	32.250"	24"	DW1824DWCHASEUPASY
20.00"	N/A	N/A	N/A	N/A	34.250"	34.250"	24"	DW2026DWCHASEUPASY
22.00"	N/A	N/A	N/A	N/A	36.250"	36.250"	24"	DW2228DWCHASEUPASY
24.00"	N/A	N/A	N/A	N/A	38.250"	38.250"	24"	DW2430DWCHASEUPASY
26.00"	N/A	N/A	N/A	N/A	40.250"	40.250"	24"	DW2632DWCHASEUPASY
28.00"	N/A	N/A	N/A	N/A	42.250"	42.250"	24"	DW2834DWCHASEUPASY
30.00"	N/A	N/A	N/A	N/A	44.250"	44.250"	24"	DW3036DWCHASEUPASY
32.00"	N/A	N/A	N/A	N/A	46.250"	46.250"	24"	DW3238DWCHASEUPASY
34.00"	N/A	N/A	N/A	N/A	48.250"	48.250"	24"	DW3440DWCHASEUPASY
36.00"	N/A	N/A	N/A	N/A	50.250"	50.250"	24"	DW3642DWCHASEUPASY

INSTALLATION FASTENER TYPES

	Wood (SG = 0.42 Min.)	Concrete (2500 psi Min. Cracked Concrete)
Fastener	3/8" Dia. Zinc Plated Lag Bolt	3/8" Dia. SS Hilti Kwik Bolt TZ Expansion Anchor
Minimum Thread Penetration	2"	2-5/16"
Minimum Edge Distance	1-1/2"	3"



DETAIL A
SCALE 1 : 8