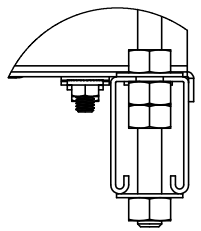
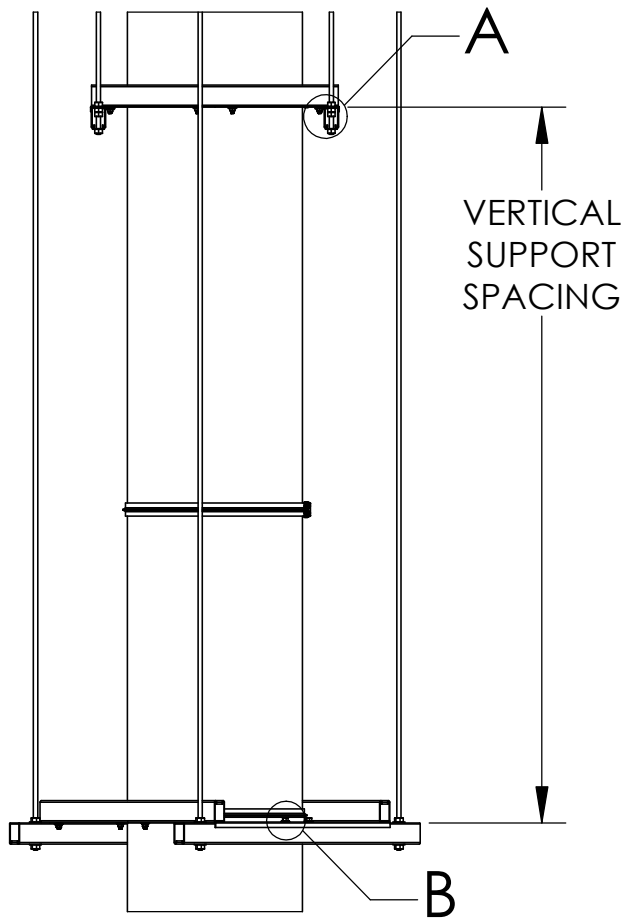
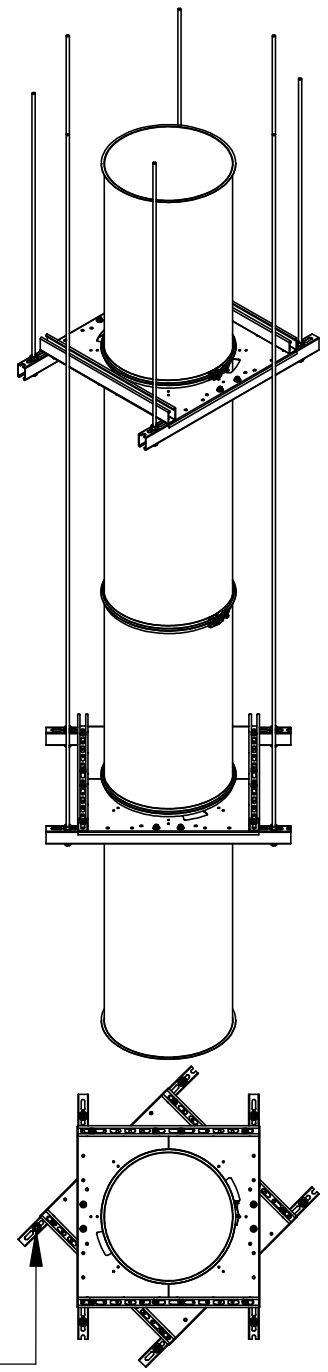
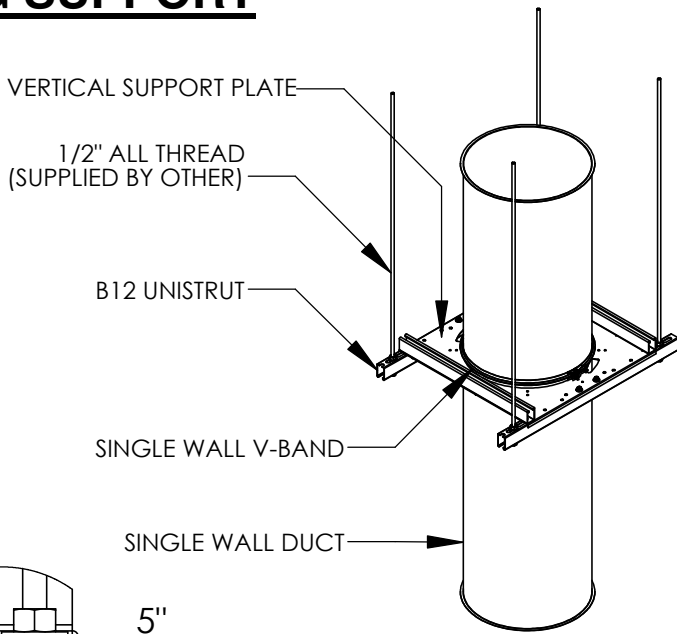
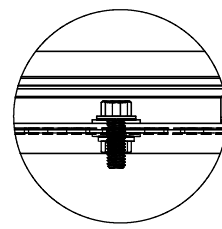


SINGLE WALL DUCT CEILING SUPPORT

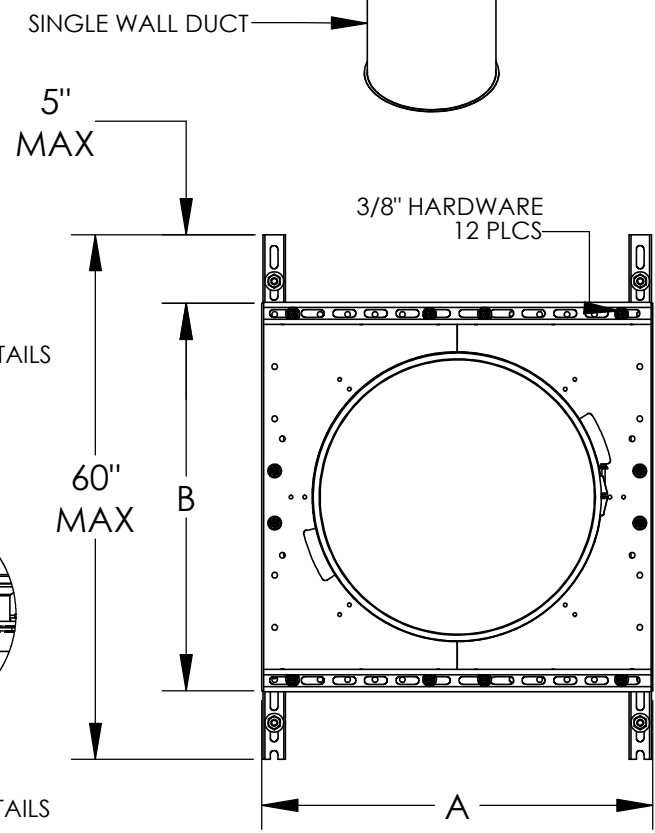
VERTICAL SUPPORT SPACING FOR DOUBLE WALL WITH FLOOR SUPPORT				
DUCT DIAMETER	PLATE DIMENSIONS		SUPPORT SPACING	CHASE SUPPORT ASSEMBLY
	A	B		
5.00"	10.25"	10.25"	24"	DW05HANGSUP ASY
6.00"	12.25"	12.25"	24"	DW06HANGSUP ASY
7.00"	14.25"	14.25"	24"	DW07HANGSUP ASY
8.00"	16.25"	16.25"	24"	DW08HANGSUP ASY
10.00"	18.25"	18.25"	24"	DW10HANGSUP ASY
12.00"	20.25"	20.25"	24"	DW12HANGSUP ASY
14.00"	22.25"	22.25"	24"	DW14HANGSUP ASY
16.00"	24.25"	24.25"	24"	DW16HANGSUP ASY
18.00"	26.25"	26.25"	24"	DW18HANGSUP ASY
20.00"	28.25"	28.25"	24"	DW20HANGSUP ASY
22.00"	30.25"	30.25"	24"	DW22HANGSUP ASY
24.00"	32.25"	32.25"	24"	DW24HANGSUP ASY
26.00"	34.25"	34.25"	24"	DW26HANGSUP ASY
28.00"	36.25"	36.25"	24"	DW28HANGSUP ASY
30.00"	38.25"	38.25"	24"	DW30HANGSUP ASY
32.00"	40.25"	40.25"	24"	DW32HANGSUP ASY
34.00"	42.25"	42.25"	24"	DW34HANGSUP ASY
36.00"	44.25"	44.25"	24"	DW36HANGSUP ASY



DETAIL A
1/2" ALL THREAD DETAILS
4 PLCS
SCALE 1 : 4



DETAIL B
3/8" HARDWARE DETAILS
12 PLCS
SCALE 1 : 4



NOTE: SUPPORTS MUST BE ROTATED SO THAT ALL THREAD ATTACHES DIRECTLY TO CEILING